

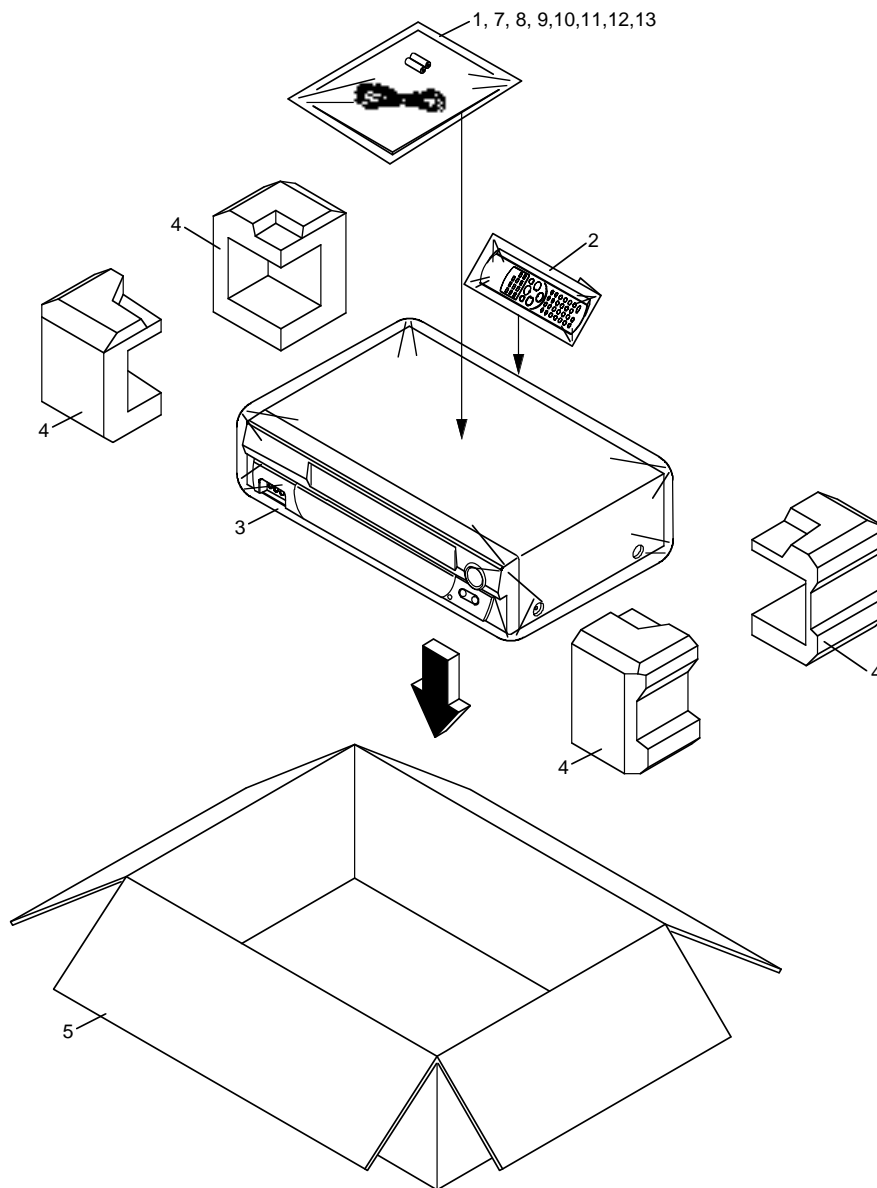
PARTS LIST

SAFETY PRECAUTION

Parts identified by the \triangle symbol are critical for safety. Replace only with specified part numbers.

3.1 PACKING AND ACCESSORY ASSEMBLY <M1>

The instruction manual to be provided with this product will differ according to the destination.



\triangle REF No. PART No. PART NAME, DESCRIPTION

PACKING AND ACCESSORY ASSEMBLY <M1>

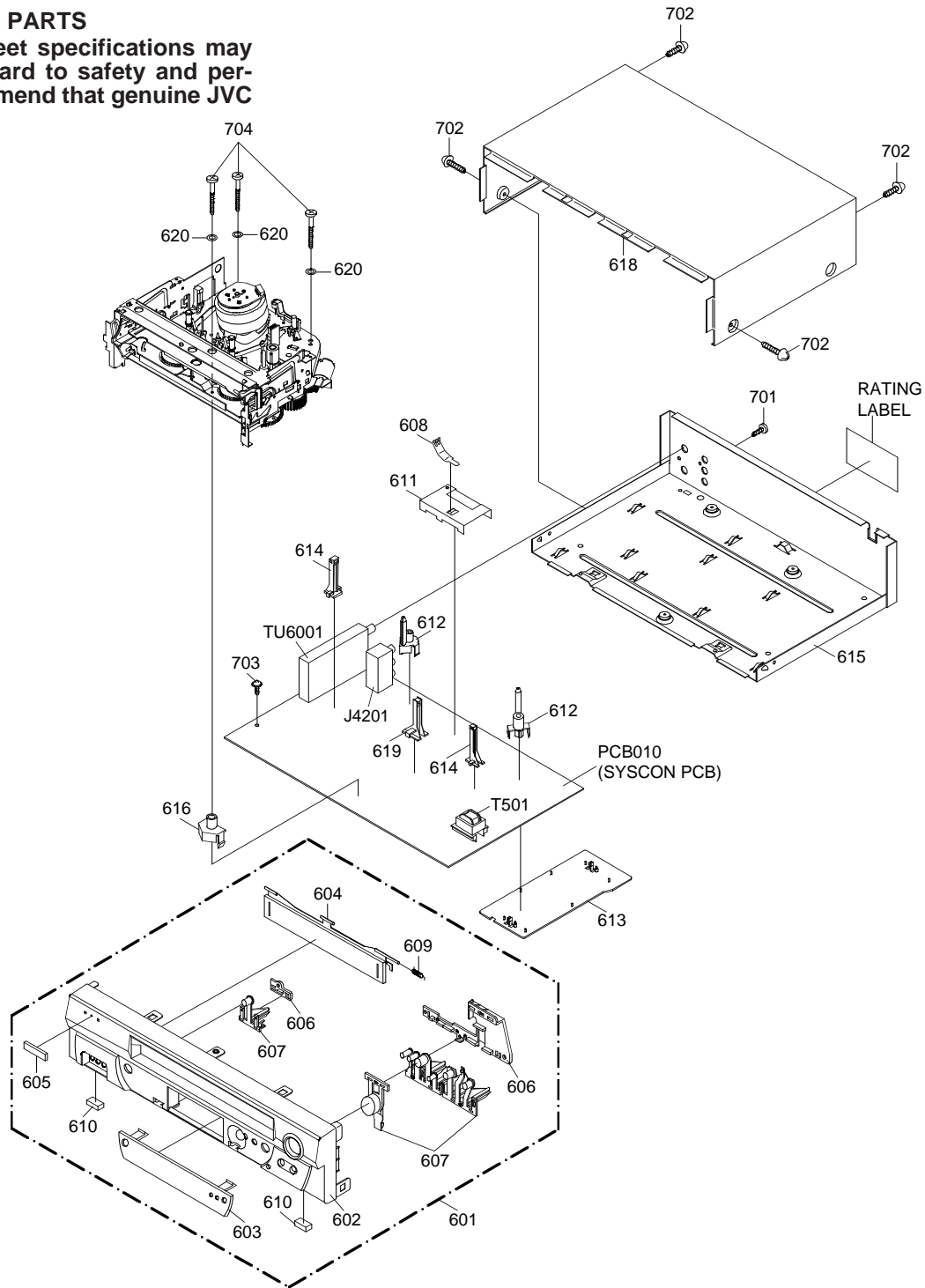
1	PEAC0294-03	RF CABLE
2	X-076N0ES010	REMOTE CONTROLLER
3	X-791WHA0095	GIFT SHEET
4	X-792WHA0343	CUSHION
5	X-793WCDB096	GIFT BOX,HR-A591U/U(C)
	X-793WCDB107	GIFT BOX,HR-A590U(C)
7	X-JB5KD200	POLY BAG,HR-A591U
	X-JJB5KD400	POLY BAG,HR-A591,A590U(C)

# \triangle	REF No.	PART No.	PART NAME, DESCRIPTION
\triangle 8	X-J4F21601		INSTRUCTION BOOK,HR-A591U
	X-J4F21701		INSTRUCTION BOOK(EN),HR-A591U(C)
	X-J4F21901		INSTRUCTION BOOK(EN),HR-A590U(C)
9	X-J5500117		REGISTRATION CARD,HR-A591U
\triangle 10	X-J4F21710		INSTRUCTION BOOK(FR),HR-A591U(C)
	X-J4F21910		INSTRUCTION BOOK(FR),HR-A590U(C)
11	X-J5500112		GUARANTEE CARD,HR-A591,A590U(C)
12	X-J5500115		SERVICE STATION LIST,HR-A591,A590U(C)
13	-		BATTERY,x2

3.2 FINAL ASSEMBLY [HR-A591U/U(C)] <M2>

BEWARE OF BOGUS PARTS

Parts that do not meet specifications may cause trouble in regard to safety and performance. We recommend that genuine JVC parts be used.



Δ REF No. PART No. PART NAME, DESCRIPTION

FINAL ASSEMBLY <M2>

#	Δ	REF No.	PART No.	PART NAME, DESCRIPTION
		601	X-A4F216B720	CABINET,FRONT ASSY
		602	X-701WPJB608	CABINET,FRONT
		603	X-711WPDA426	PLATE,DISPLAY
		604	X-712WPDA061	FLAP
		605	X-723538A001	BADGE,BRAND
		606	X-735WPA0602	BUTTON,HOLDER
		607	X-735WPDA509	BUTTON,FRAME
		608	X-753WUAA006	SPRING,EARTH HEAD AMP
		609	X-743WKA0032	SPRING,FLAP
		610	X-800WFA0045	CUSHION,LEG

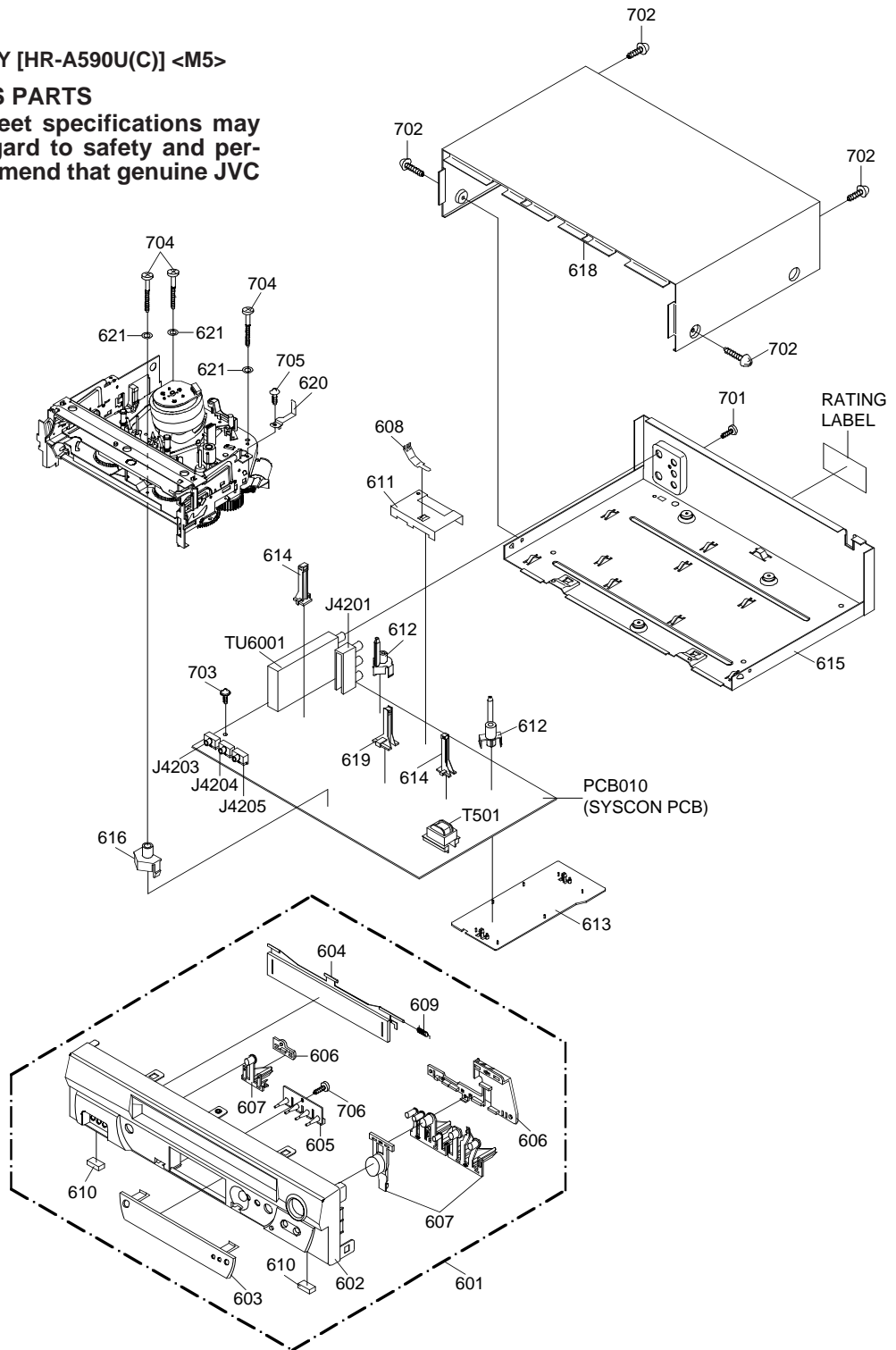
Δ REF No. PART No. PART NAME, DESCRIPTION

		611	X-752WSA0230	SHIELD,CASE HEAD AMP	
		612	X-701WPA0680	HOLDER,DECK	
	Δ	613	X-755WPA0020	PLATE,COVER POWER	
		614	X-85OP700036	HOLDER,EOT SENSOR	
	Δ	615	X-702WSA0084	PLATE,BOTTOM	
		616	X-701WPA0686	HOLDER,DECK	
	Δ	618	X-702WSB0058	CABINET,TOP	
		619	X-85OP700037	HOLDER,LED	
		620	X-82J3065B50	CURVE WASHER	
		701	X-8110230804	SCREW,TAP	3x8
		702	X-8109230802	SCREW,TAP	3x8
		703	X-8109230704	SCREW,TAP	3x7
		704	X-8109130B94	SCREW,TAP	3x29

3.3 FINAL ASSEMBLY [HR-A590U(C)] <M5>

BEWARE OF BOGUS PARTS

Parts that do not meet specifications may cause trouble in regard to safety and performance. We recommend that genuine JVC parts be used.



Δ REF No. PART No. PART NAME, DESCRIPTION

FINAL ASSEMBLY <M5>

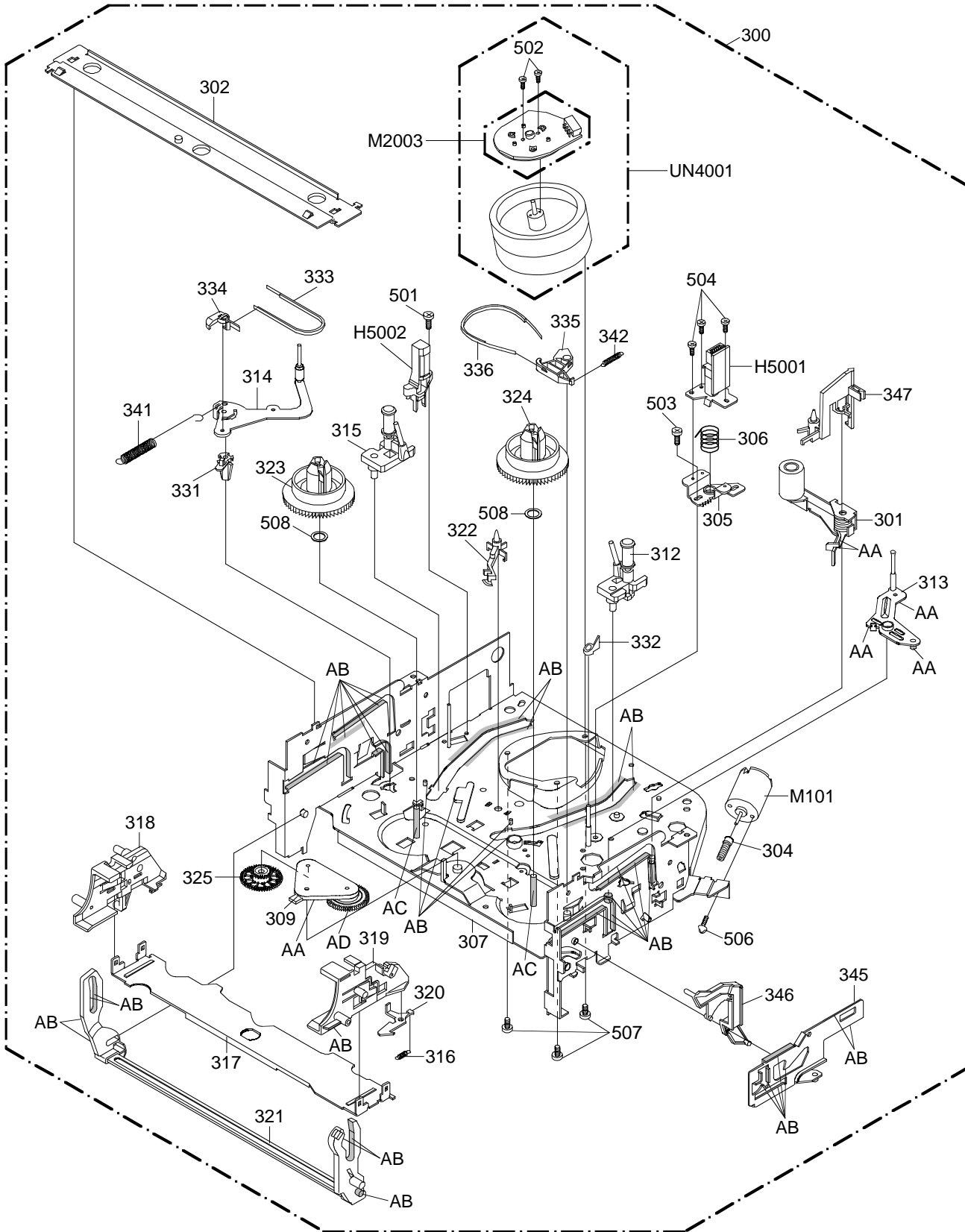
# Δ	REF No.	PART No.	PART NAME, DESCRIPTION
Δ	601	X-A4F219B720	CABINET,FRONT ASSY
	602	X-701WPJB609	CABINET,FRONT
	603	X-711WPDA434	PLATE,DISPLAY
	604	X-712WPDA063	FLAP
	605	X-713WPAA036	GLASS,LED
	606	X-735WPA0602	BUTTON,HOLDER
	607	X-735WPDA509	BUTTON,FRAME
	608	X-753WUAA006	SPRING,EARTH HEAD AMP
	609	X-743WKA0032	SPRING,FLAP
	610	X-800WFA0045	CUSHION,LEG
	611	X-752WSA0230	SHIELD,CASE HEAD AMP

Δ REF No. PART No. PART NAME, DESCRIPTION

	612	X-701WPA0680	HOLDER,DECK	
Δ	613	X-755WPA0020	PLATE,COVER POWER	
	614	X-85OP700036	HOLDER,EOT SENSOR	
Δ	615	X-702WSA0083	PLATE,BOTTOM	
	616	X-701WPA0686	HOLDER,DECK	
Δ	618	X-702WSB0058	CABINET,TOP	
	619	X-85OP700037	HOLDER,LED	
	620	X-753WUA0053	SPRING,EARTH 3PIN	
	621	X-82J3065B50	CURVE WASHER	
	701	X-8110230804	SCREW,TAP TITE(P) BIND	3x8
	702	X-8109230802	SCREW,TAP TITE(B)	3x8
	703	X-8109230704	SCREW,TAP TITE(B) R BIND	3x7
	704	X-8109130B94	SCREW,TAP TITE(B) R PAN	3x29
	705	X-8107630604	SCREW,TAP TITE(S) BRAZIER	3x6
	706	X-8110226804	SCREW,TAP TITE(P) BIND	2.6x8

3.4 MECHANISM ASSEMBLY <M4>

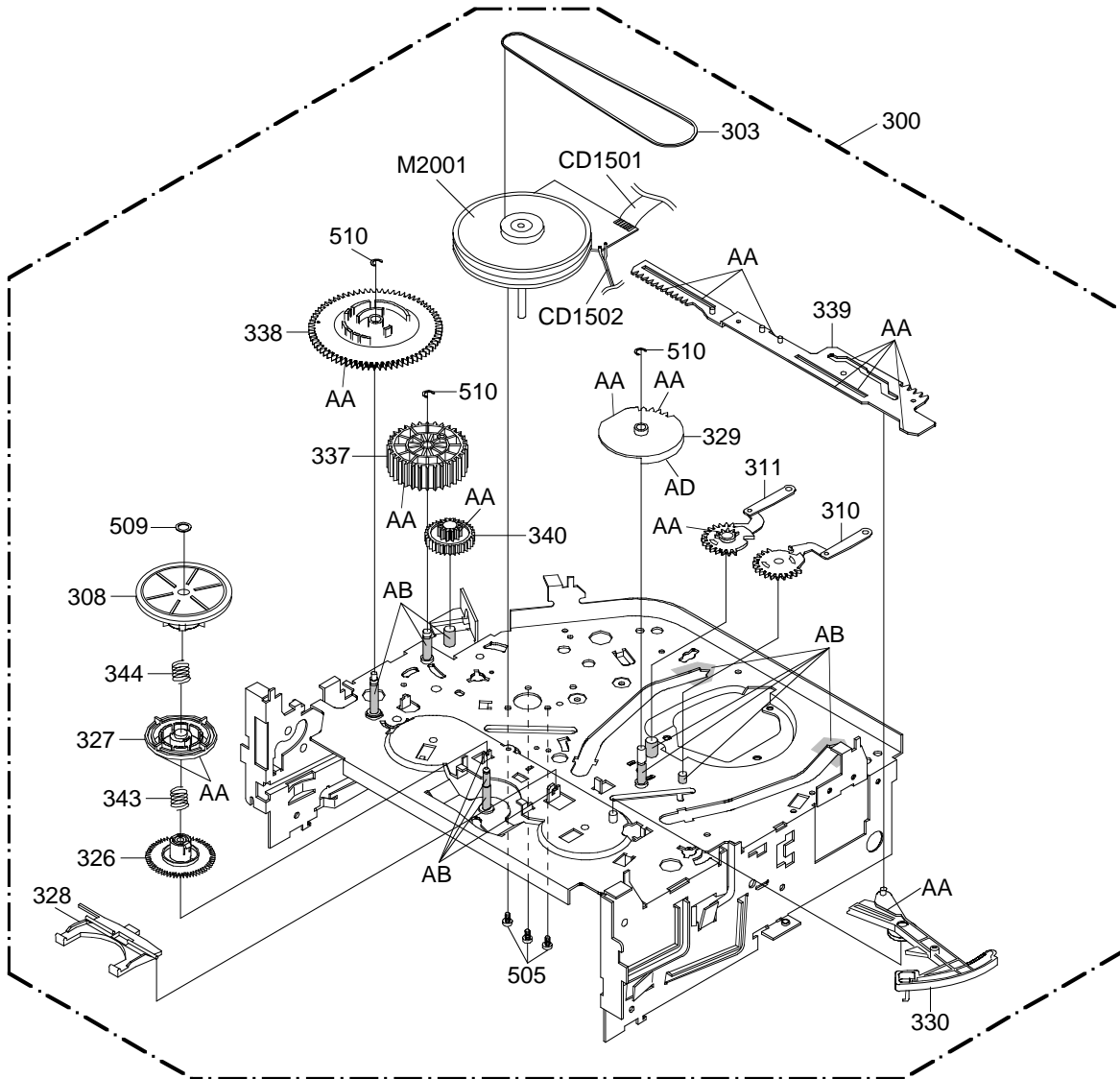
[TOP VIEW]



CLASS	PART NO.	MARK
GREASE	G-555G	AA
	MG-33	AB
	FG-84M	AC
	FL-721	AD

NOTE: Applying positions AA, AB, AC and AD for the grease are displayed for this section. Check if the correct grease is applied for each position.

[BOTTOM VIEW]



CLASS	PART NO.	MARK
GREASE	G-555G	AA
	MG-33	AB
	FG-84M	AC
	FL-721	AD

NOTE: Applying positions AA, AB, AC and AD for the grease are displayed for this section. Check if the correct grease is applied for each position.

#	△ REF No.	PART No.	PART NAME, DESCRIPTION

MECHANISM ASSEMBLY <M4>			
301		X-85OA400234	PINCH ROLLER BLOCK
302		X-85OP900746	BRACKET, TOP 3V
303		X-85OP200290	BELT, CAPSTAN (S)
304		X-85OP600581	WORM
305		X-85OP500083	BASE, AC HEAD
306		X-85OP800324	SPRING, AC HEAD
307		X-85OA000459	MAIN CHASSIS ASS'Y
308		X-85OA200089	CLUTCH ASS'Y
309		X-85OA200090	ARM IDLER ASS'Y
310		X-85OA300065	LOADING ARM S UNIT
311		X-85OA300066	LOADING ARM T UNIT
312		X-85OA400223	INCLINED BASE T UNIT 3S
313		X-85OA400232	P5 ARM ASS'Y 2
314		X-85OA400233	TENSION ARM ASS'Y (WT)
315		X-85OA400231	INCLINED BASE S UNIT
316		X-85OP800358	SPRING, LOCKER
317		X-85OP900736	CASS, HOLDER
318		X-85OP900748	CASS, SIDE L
319		X-85OP900749	CASS, SIDE R
320		X-85OP900739	LOCKER, R
321		X-85OA900228	LINK UNIT
322		X-85OP000496	POST, CASS GUIDE
323		X-85OP200316	REEL, S (S)
324		X-85OP200317	REEL, T (S)
325		X-85OP200308	GEAR, IDLER
326		X-85OP200311	GEAR, CLUTCH
327		X-85OP200312	GEAR, COUPLING
328		X-85OP200313	LEVER, CLUTCH
329		X-85OP300194	GEAR, MAIN LOADING
330		X-85OP400490	LEVER, TENSION
331		X-85OP400492	HOLDER, TENSION
332		X-85OP400520	CAP. P4
333		X-85OP400539	BAND, TENSION
334		X-85OP400533	CONNECT, TENSION
335		X-85OP600573	ARM, BRAKE T
336		X-85OP600583	BAND, BRAKE T
337		X-85OP600577	CAM, PINCH ROLLER
338		X-85OP600578	CAM, MAIN
339		X-85OP600579	ROD, MAIN
340		X-85OP600582	GEAR, JOINT
341		X-85OP800322	SPRING, TENSION
342		X-85OP800360	SPRING, BRAKE T
343		X-85OP800355	SPRING, COUPLING
344		X-85OP800356	SPRING, RING
345		X-85OP900750	LEVER, LINK 2
346		X-85OP900744	LEVER, FLAP
347		X-85OP900745	CASS, OPENER
501		X-8107226804	SCREW, TAP 2.6x8
502		X-8107226504	SCREW, TAP 2.6x5
503		X-8107226404	SCREW, TAP 2.6x4
504		X-8102120604	SCREW, PAN M2x6
505		X-8109126604	SCREW, TAP 2.6x6
506		X-810A130404	SCREW/WASHER(A) M3x4
507		X-810A126504	SCREW/WASHER(A) M2.6x5
508		X-82Q264713N	WASHER 2.6x4.7xT0.13
509		X-82P184505N	SLIT WASHER 1.8x4.5xT0.5
510		X-83ETW30000	E-RING 3

#	△ REF No.	PART No.	PART NAME, DESCRIPTION
		CD1501 X-122H071603	CORD JUMPER
		CD1502 X-122Y021902	CORD JUMPER
		H5001 X-1523D91034	AUDIO CONTROL HEAD
		H5002 X-1543D02013	FULL ERASE HEAD
	△	M101 X-1596P98001	LOADING MOTOR
	△	M2001 X-1510S98036	CAPSTAN DD UNIT
	△	M2003 X-1589S11015	MICRO MOTOR
	△	UN4001 X-A4F216A500	CYLINDER UNIT ASS'Y

3.5 ELECTRICAL PARTS LIST

#	△	REF No.	PART No.	PART NAME, DESCRIPTION

SYSCON BOARD ASSEMBLY <03>				
Note				
<i>When replacing parts in repair, use chip parts although Melf parts may be used at the time of factory shipment.</i>				
		PCB010	X-A4F216B010 X-A4F219B010	PCB ASS'Y,HR-A591U/U(C) PCB ASS'Y,HR-A590U(C)
△		R502	X-R0G3K2335K	RESISTOR 3.3MΩ,1/2W
		R503	NRSA02J-223X	MG RESISTOR 22KΩ,1/10W
		R506	NRSA02J-681X	MG RESISTOR 680Ω,1/10W
		R509	QRE141J-333Y	RESISTOR 33KΩ,1/4W
		R510	NRSA02J-102X	MG RESISTOR 1KΩ,1/10W
		R511	X-R002T2121J	RESISTOR 120Ω,1/2W
△		R512	X-R002T2333J	RESISTOR 33KΩ,1/2W
△		R514	X-R3X181010J	OMF RESISTOR 1Ω,1W
		R516	NRSA02F-122X	MG RESISTOR 1.2KΩ,1/10W±1%
		R518	NRSA02F-132X	MG RESISTOR 1.3KΩ,1/10W±1%
		R520	QRE141J-223Y	RESISTOR 22KΩ,1/4W
		R521	QRE141J-221Y	RESISTOR 220Ω,1/4W
		R523	QRE141J-391Y	RESISTOR 390Ω,1/4W
		R524	NRSA02J-182X	MG RESISTOR 1.8KΩ,1/10W
		R525	QRE141J-221Y	RESISTOR 220Ω,1/4W
		R527	NRSA02J-223X	MG RESISTOR 22KΩ,1/10W
		R531	QRE141J-154Y	RESISTOR 150KΩ,1/4W
		R534	X-R002T2334J	RESISTOR 330KΩ,1/2W
		R537	QRE141J-122Y	RESISTOR 1.2KΩ,1/4W
		R544	NRSA02J-333X	MG RESISTOR 33KΩ,1/10W
△		R547	X-R002T2224J	RESISTOR 220KΩ,1/2W
		R548	QRE141J-102Y	RESISTOR 1KΩ,1/4W
△		R549	X-R65584331J	FUSI RESISTOR 330Ω,1/4W
		R651	NRSA02J-332X	MG RESISTOR 3.3KΩ,1/10W
		R652	NRSA02J-272X	MG RESISTOR 2.7KΩ,1/10W
		R653	NRSA02J-392X	MG RESISTOR 3.9KΩ,1/10W
		R654	NRSA02J-682X	MG RESISTOR 6.8KΩ,1/10W
		R655	NRSA02J-133X	MG RESISTOR 13KΩ,1/10W
		R656	NRSA02J-332X	MG RESISTOR 3.3KΩ,1/10W
		R657	X-R002T4561J	RESISTOR,HR-A590U(C) 560Ω,1/4W
		R658	X-R002T4561J	RESISTOR,HR-A590U(C) 560Ω,1/4W
		R659	X-R002T4561J	RESISTOR,HR-A590U(C) 560Ω,1/4W
		R660	X-R002T4561J	RESISTOR,HR-A590U(C) 560Ω,1/4W
		R661	NRSA02J-821X	MG RESISTOR,HR-A591U/U(C) 820Ω,1/10W
		R662	QRE141J-181Y	RESISTOR,HR-A591U/U(C) 180Ω,1/4W
		R663	QRE141J-181Y	RESISTOR,HR-A591U/U(C) 180Ω,1/4W
		R664	NRSA02J-821X	MG RESISTOR,HR-A591U/U(C) 820Ω,1/10W
		R665	NRSA02J-181X	MG RESISTOR,HR-A591U/U(C) 180Ω,1/10W
		R666	QRE141J-181Y	RESISTOR,HR-A591U/U(C) 180Ω,1/4W
		R667	QRE141J-181Y	RESISTOR,HR-A591U/U(C) 180Ω,1/4W
		R668	QRE141J-181Y	RESISTOR,HR-A591U/U(C) 180Ω,1/4W
		R669	QRE141J-821Y	RESISTOR,HR-A591U/U(C) 820Ω,1/4W
		R670	QRE141J-181Y	RESISTOR,HR-A591U/U(C) 180Ω,1/4W
		R671	QRE141J-821Y	RESISTOR,HR-A591U/U(C) 820Ω,1/4W
		R672	QRE141J-181Y	RESISTOR,HR-A591U/U(C) 180Ω,1/4W
		R673	QRE141J-181Y	RESISTOR,HR-A591U/U(C) 180Ω,1/4W
		R674	QRE141J-181Y	RESISTOR,HR-A591U/U(C) 180Ω,1/4W
		R675	QRE141J-821Y	RESISTOR,HR-A591U/U(C) 820Ω,1/4W
		R1002	QRE141J-181Y	RESISTOR 180Ω,1/4W
		R1003	QRE141J-332Y	RESISTOR 3.3KΩ,1/4W

#	△	REF No.	PART No.	PART NAME, DESCRIPTION
		R1004	NRSA02J-822X	MG RESISTOR 8.2KΩ,1/10W
		R1006	QRE141J-473Y	RESISTOR 47KΩ,1/4W
		R1007	NRSA02J-822X	MG RESISTOR 8.2KΩ,1/10W
		R1009	NRSA02J-103X	MG RESISTOR 10KΩ,1/10W
		R1010	QRE141J-103Y	RESISTOR 10KΩ,1/4W
		R1013	NRSA02J-103X	MG RESISTOR 10KΩ,1/10W
		R1014	NRSA02J-682X	MG RESISTOR 6.8KΩ,1/10W
		R1015	NRSA02J-561X	MG RESISTOR 560Ω,1/10W
		R1016	QRE141J-153Y	RESISTOR 15KΩ,1/4W
		R1017	NRSA02J-561X	MG RESISTOR 560Ω,1/10W
		R1022	QRE141J-102Y	RESISTOR 1KΩ,1/4W
		R1025	NRSA02J-105X	MG RESISTOR 1MΩ,1/10W
		R1026	NRSA02J-821X	MG RESISTOR 820Ω,1/10W
		R1030	NRSA02J-272X	MG RESISTOR 2.7KΩ,1/10W
		R1031	QRE141J-332Y	RESISTOR 3.3KΩ,1/4W
		R1033	NRSA02J-105X	MG RESISTOR 1MΩ,1/10W
		R1034	NRSA021J-563X	MG RESISTOR 56KΩ,1/10W
		R1037	NRSA021J-563X	MG RESISTOR 56KΩ,1/10W
		R1038	QRE141J-103Y	RESISTOR 10KΩ,1/4W
		R1039	NRSA02J-562X	MG RESISTOR 5.6KΩ,1/10W
		R1040	NRSA02J-105X	MG RESISTOR 1MΩ,1/10W
		R1041	NRSA02J-271X	MG RESISTOR 270Ω,1/10W
		R1042	NRSA02J-473X	MG RESISTOR 47KΩ,1/10W
		R1043	QRE141J-473Y	RESISTOR 47KΩ,1/4W
		R1044	NRSA02J-332X	MG RESISTOR 3.3KΩ,1/10W
		R1045	NRSA02J-332X	MG RESISTOR 3.3KΩ,1/10W
		R1046	NRSA02J-103X	MG RESISTOR 10KΩ,1/10W
		R1047	NRSA02J-103X	MG RESISTOR 10KΩ,1/10W
		R1048	NRSA02J-184X	MG RESISTOR 180KΩ,1/10W
		R1049	NRSA02J-472X	MG RESISTOR 4.7KΩ,1/10W
		R1050	NRSA02J-101X	MG RESISTOR 100Ω,1/10W
		R1051	NRSA02J-183X	MG RESISTOR 18KΩ,1/10W
		R1052	NRSA02J-223X	MG RESISTOR 22KΩ,1/10W
		R1053	NRSA02J-472X	MG RESISTOR 4.7KΩ,1/10W
		R1054	NRSA02J-221X	MG RESISTOR 220Ω,1/10W
		R1055	NRSA02J-473X	MG RESISTOR 47KΩ,1/10W
		R1058	NRSA02J-222X	MG RESISTOR,HR-A590U(C) 2.2KΩ,1/10W
		R1061	NRSA02J-474X	MG RESISTOR 470KΩ,1/10W
		R1062	NRSA02J-222X	MG RESISTOR,HR-A590U(C) 2.2KΩ,1/10W
		R1065	NRSA02J-103X	MG RESISTOR 10KΩ,1/10W
		R1066	NRSA02J-103X	MG RESISTOR 10KΩ,1/10W
		R1070	NRSA02J-223X	MG RESISTOR 22KΩ,1/10W
		R1072	NRSA02J-103X	MG RESISTOR 10KΩ,1/10W
		R1075	QRE141J-102Y	RESISTOR 1KΩ,1/4W
		R1076	QRE141J-102Y	RESISTOR 1KΩ,1/4W
		R1083	NRSA02J-333X	MG RESISTOR 33KΩ,1/10W
		R1087	NRSA02J-333X	MG RESISTOR 33KΩ,1/10W
		R4001	NRSA02J-561X	MG RESISTOR 560Ω,1/10W
		R4002	NRSA02J-103X	MG RESISTOR 10KΩ,1/10W
		R4003	NRSA02J-103X	MG RESISTOR 10KΩ,1/10W
		R4004	QRE141J-150Y	RESISTOR 15Ω,1/4W
		R4005	QRE141J-103Y	RESISTOR 10KΩ,1/4W
		R4010	NRSA02J-332X	MG RESISTOR 3.3KΩ,1/10W
		R4011	NRSA02J-223X	MG RESISTOR 22KΩ,1/10W
		R4012	NRSA02J-102X	MG RESISTOR 1KΩ,1/10W
		R4013	NRSA02J-682X	MG RESISTOR 6.8KΩ,1/10W
		R4017	NRSA02J-822X	MG RESISTOR 8.2KΩ,1/10W
		R4018	NRSA02J-822X	MG RESISTOR 8.2KΩ,1/10W
		R4019	NRSA02J-334X	MG RESISTOR 330KΩ,1/10W
		R4020	QRE141J-221Y	RESISTOR 220Ω,1/4W
		R4021	NRSA02J-183X	MG RESISTOR 18KΩ,1/10W

#	△ REF No.	PART No.	PART NAME, DESCRIPTION	#	△ REF No.	PART No.	PART NAME, DESCRIPTION
R4022		NRSA02J-821X	MG RESISTOR 820Ω,1/10W	C1013		NCB21HK-102X	CAPACITOR 0.001μF,50V
R4023		NRSA02J-153X	MG RESISTOR 15KΩ,1/10W	C1015		X-CS0RCH4H2J	CAPACITOR 220pF,50V
R4024		NRSA02J-682X	MG RESISTOR 6.8KΩ,1/10W	C1016		NCF21HZ-104X	CAPACITOR 0.1μF,50V
R4025		NRSA02J-152X	MG RESISTOR 1.5KΩ,1/10W	C1017		NCB21HK-103X	CAPACITOR 0.01μF,50V
R4033		QRE141J-222Y	RESISTOR 2.2KΩ,1/4W	C1019		X-CS0KCH4H1J	CAPACITOR 22pF,50V
R4034		NRSA02J-823X	MG RESISTOR 82KΩ,1/10W	C1020		QEKJ0JM-476Z	E CAPACITOR 47μF,6.3V
R4035		NRSA02J-104X	MG RESISTOR 100KΩ,1/10W	C1021		QEKJ1CM-106Z	E CAPACITOR 10μF,16V
R4036		NRSA02J-182X	MG RESISTOR 1.8KΩ,1/10W	C1022		QEKJ0JM-226Z	E CAPACITOR 22μF,6.3V
R4037		NRSA02J-102X	MG RESISTOR 1KΩ,1/10W	C1023		QETN0JM-227Z	E CAPACITOR 220μF,6.3V
R4038		NRSA02J-684X	MG RESISTOR 680KΩ,1/10W	C1029		X-E50HU34R7M	E CAPACITOR 4.7μF,25V
R4039		NRSA02J-822X	MG RESISTOR 8.2KΩ,1/10W	C1032		X-CS0RCH4L1J	CAPACITOR 33pF,50V
R4041		NRSA02J-182X	MG RESISTOR 1.8KΩ,1/10W	C1034		X-CS0RCH4K1J	CAPACITOR 27pF,50V
R4042		NRSA02J-152X	MG RESISTOR 1.5KΩ,1/10W	C1036		NCF21HZ-104X	CAPACITOR 0.1μF,50V
R4043		NRSA02J-332X	MG RESISTOR 3.3KΩ,1/10W	C1038		QEKJ0JM-226Z	E CAPACITOR 22μF,6.3V
R4044		NRSA02J-223X	MG RESISTOR 22KΩ,1/10W	C1040		NCB21HK-472X	CAPACITOR 0.0047μF,50V
R4045		QRE141J-123Y	RESISTOR 12KΩ,1/4W	C1041		NCF21HZ-104X	CAPACITOR 0.1μF,50V
R4046		NRSA02J-223X	MG RESISTOR 22KΩ,1/10W	C1053		NCB21HK-223X	CAPACITOR 0.022μF,50V
R4047		QRE141J-123Y	RESISTOR 12KΩ,1/4W	C1054		NCB21EK-104X	CAPACITOR 0.1μF,25V
R4053		QRE141J-103Y	RESISTOR,HR-A591U/U(C) 10KΩ,1/4W	C1055		NCB21HK-223X	CAPACITOR 0.022μF,50V
R4201		X-R002T2471J	RESISTOR 470Ω,1/2W	C4002		X-P235W1223J	CMP 0.022μF,100V MKT
R4202		NRSA02J-750X	MG RESISTOR 75Ω,1/10W	C4004		QETN0JM-227Z	E CAPACITOR 220μF,6.3V
R4204		NRSA02J-103X	MG RESISTOR 10KΩ,1/10W	C4005		NCB21HK-103X	CAPACITOR 0.01μF,50V
R4205		NRSA02J-103X	MG RESISTOR 10KΩ,1/10W	C4006		NCB21HK-153X	CAPACITOR 0.015μF,50V
R4206		NRSA02J-391X	MG RESISTOR 390Ω,1/10W	C4009		QEKJ0JM-476Z	E CAPACITOR 47μF,6.3V
R4207		QRE141J-102Y	RESISTOR 1KΩ,1/4W	C4010		QEKJ0JM-476Z	E CAPACITOR 47μF,6.3V
R4209		NRSA02J-750X	MG RESISTOR 75Ω,1/10W	C4012		QEKJ0JM-226Z	E CAPACITOR 22μF,6.3V
R4210		NRSA02J-101X	MG RESISTOR 100Ω,1/10W	C4013		QCBB1HK-104Y	CAPACITOR 0.1μF,50V
R4211		QRE141J-102Y	RESISTOR 1KΩ,1/4W	C4014		QEKJ0JM-226Z	E CAPACITOR 22μF,6.3V
R4212		NRSA02J-391X	MG RESISTOR 390Ω,1/10W	C4015		NCF21HZ-473X	CAPACITOR 0.047μF,50V
R5502		NRSA02J-331X	MG RESISTOR 330Ω,1/10W	C4016		NCB21HK-683X	CAPACITOR 0.068μF,50V
R5503		NRSA02J-102X	MG RESISTOR 1KΩ,1/10W	C4019		NCF21HZ-473X	CAPACITOR 0.047μF,50V
R5507		NRSA02J-473X	MG RESISTOR 47KΩ,1/10W	C4022		NCF21HZ-104X	CAPACITOR 0.1μF,50V
R5508		NRSA02J-682X	MG RESISTOR 6.8KΩ,1/10W	C4023		X-CS0KB04Q2K	CAPACITOR 470pF,50V
R5510		NRSA02J-273X	MG RESISTOR 27KΩ,1/10W	C4025		QETN0JM-227Z	E CAPACITOR 220μF,6.3V
R5513		NRSA02J-225X	MG RESISTOR 2.2MΩ,1/10W	C4027		QEKJ0JM-336Z	E CAPACITOR 33μF,6.3V
R5514		NRSA02J-473X	MG RESISTOR 47KΩ,1/10W	C4028		NCF21HZ-104X	CAPACITOR 0.1μF,50V
R5516		NRSA02J-682X	MG RESISTOR 6.8KΩ,1/10W	C4029		NCB21HK-103X	CAPACITOR 0.01μF,50V
R5519		QRE141J-332Y	RESISTOR 3.3KΩ,1/4W	C4030		QEKJ1CM-106Z	E CAPACITOR 10μF,16V
R6004		QRE141J-102Y	RESISTOR 1KΩ,1/4W	C4031		QEKJ1HM-105Z	E CAPACITOR 1μF,50V
R6005		NRSA02J-223X	MG RESISTOR 22KΩ,1/10W	C4032		NCB21HK-272X	CAPACITOR 0.0027μF,50V
R6006		NRSA02J-103X	MG RESISTOR 10KΩ,1/10W	C4033		NCB21HK-122X	CAPACITOR 0.0012μF,50V
C502		X-C0JTB05K3K	CAPACITOR 0.0027μF,500V	C4034		X-E50HU34R7M	E CAPACITOR 4.7μF,25V
△ C504		X-P2472B223M	CMP 0.022μF,275V PHE840	C4035		QEKJ1HM-105Z	E CAPACITOR 1μF,50V
△ C505		X-CBLLYEMH3M	CAPACITOR 0.0022μF,250V	C4036		X-CS0KB04N2K	CAPACITOR 390pF,50V
C506		X-CSORB04G4K	CAPACITOR 0.018μF,50V	C4037		NCF21HZ-104X	CAPACITOR 0.1μF,50V
C507		NCB21HK-472X	CAPACITOR 0.0047μF,50V	C4038		X-CS0RCH4G2J	CAPACITOR 180pF,50V
△ C508		X-E62QFC470M	E CAPACITOR 47μF,200V	C4039		NDC21HJ-220X	CAPACITOR 22pF,50V
C509		X-C0JTB0512K	CAPACITOR 100pF,500V	C4040		QCFB1HZ-104Y	CAPACITOR 0.1μF,50V
C512		X-C0JTB05Q3K	CAPACITOR,HR-A591U/U(C) 0.0047μF,500V	C4044		NCB21EK-104X	CAPACITOR 0.1μF,25V
		X-C0JFE0514M	CAPACITOR,HR-A590U(C) 0.01μF,500V	C4045		X-E50HU0101M	E CAPACITOR 100μF,6.3V
△ C514		X-E02LT0102M	E CAPACITOR 1000μF,6.3V	C4046		QEKJ1HM-105Z	E CAPACITOR 1μF,50V
C515		X-CSORB04W3K	CAPACITOR 0.0082μF,50V	C4048		QEKJ1HM-105Z	E CAPACITOR 1μF,50V
C517		QEKJ1HM-105Z	E CAPACITOR 1μF,50V	C4049		QEKJ1HM-105Z	E CAPACITOR 1μF,50V
△ C518		X-E50HU5100M	E CAPACITOR 10μF,50V	C4050		X-E50HU5R22M	E CAPACITOR 0.22μF,50V
△ C519		QETN1CM-477Z	E CAPACITOR 470μF,16V	C4051		QEKJ0JM-226Z	E CAPACITOR 22μF,6.3V
△ C520		QETN0JM-477Z	E CAPACITOR 470μF,6.3V	C4052		QEKJ1HM-105Z	E CAPACITOR 1μF,50V
△ C522		QETN1CM-227Z	E CAPACITOR 220μF,16V	C4053		QEKJ1HM-105Z	E CAPACITOR 1μF,50V
C529		X-CSORB04W3K	CAPACITOR 0.0082μF,50V	C4054		NCF21HZ-104X	CAPACITOR 0.1μF,50V
C534		X-CSORB04B4K	CAPACITOR 0.012μF,50V	C4057		X-CS0RCH4L1J	CAPACITOR 33pF,50V
C1001		QETN1CM-227Z	E CAPACITOR 220μF,16V	C4058		QEKJ0JM-476Z	E CAPACITOR 47μF,6.3V
C1006		QCFB1HZ-104Y	CAPACITOR 0.1μF,50V	C4059		QCFB1HZ-104Y	CAPACITOR 0.1μF,50V

#	△	REF No.	PART No.	PART NAME, DESCRIPTION	#	△	REF No.	PART No.	PART NAME, DESCRIPTION
C4060			NCB21HK-103X	CAPACITOR 0.01μF,50V	C5553		X-CS0KY0313M	CAPACITOR 0.001μF,25V	
C4061			NCB21HK-103X	CAPACITOR 0.01μF,50V	C5555		QETN1CM-476Z	E CAPACITOR 47μF,16V	
C4062			QEKJ1HM-105Z	E CAPACITOR 1μF,50V	C6003		QEKJ1CM-106Z	E CAPACITOR 10μF,16V	
C4063			QETN1CM-476Z	E CAPACITOR 47μF,16V	C6004		NCF21HZ-103X	CAPACITOR 0.01μF,50V	
C4064			NCB21HK-223X	CAPACITOR 0.022μF,50V	C6008		QETN0JM-227Z	E CAPACITOR 220μF,6.3V	
C4065			QEKJ1HM-105Z	E CAPACITOR 1μF,50V	C6009		NCF21HZ-103X	CAPACITOR 0.01μF,50V	
C4066			NCB21HK-223X	CAPACITOR 0.022μF,50V	C6010		QETN0JM-227Z	E CAPACITOR 220μF,6.3V	
C4067			QEKJ1HM-105Z	E CAPACITOR 1μF,50V	D501		X-D97U02401B	ZENER MTZJ24B T-77	
C4069			NCF21HZ-104X	CAPACITOR 0.1μF,50V	D502		1SS133-T2	DIODE	
C4070			QCFB1HZ-104Y	CAPACITOR 0.1μF,50V	△ D505		X-D2WXN40050	DIODE 1N4005-EIC	
C4074			NCB21HK-102X	CAPACITOR,HR-A591U/U(C) 0.001μF,50V	D506		1SS133-T2	DIODE	
C4201			QETN0JM-477Z	E CAPACITOR 470μF,6.3V	△ D507		1SS133-T2	DIODE	
C4209			QEKJ1CM-106Z	E CAPACITOR 10μF,16V	△ D508		X-D2WXN40050	DIODE 1N4005-EIC	
C4211			QEKJ1CM-106Z	E CAPACITOR 10μF,16V	D511		X-D2WXGP10J0	FR DIODE RGP10J-EIC	
C5501			QEKJ1CM-106Z	E CAPACITOR 10μF,16V	△ D512		X-D2WXS1400	SCHOTTKY SB140-EIC	
C5502			X-E50HU34R7M	E CAPACITOR 4.7μF,25V	D513		MTZJ13B-T2	ZENER	
C5503			NCB21HK-223X	CAPACITOR 0.022μF,50V	△ D514		X-D2WXB290S0	DIODE SB290S	
C5504			NCF21HZ-104X	CAPACITOR 0.1μF,50V	D520		MTZJ33B-T2	ZENER	
C5505			NCF21HZ-104X	CAPACITOR 0.1μF,50V	△ D521		1SS244-T2	DIODE	
C5506			NCF21HZ-104X	CAPACITOR 0.1μF,50V	△ D523		X-D2WXN40050	DIODE 1N4005-EIC	
C5507			NCF21HZ-104X	CAPACITOR 0.1μF,50V	D524		1SS133-T2	DIODE	
C5508			NCF21HZ-104X	CAPACITOR 0.1μF,50V	△ D525		MTZJ6.8B-T2	ZENER	
C5509			QEKJ1HM-225Z	E CAPACITOR 2.2μF,50V	△ D528		X-D2WXN40050	DIODE 1N4005-EIC	
C5510			QEKJ1CM-106Z	E CAPACITOR 10μF,16V	D663		X-0021E5Q200	LED,HR-A590U(C)	
C5511			QEKJ0JM-226Z	E CAPACITOR 22μF,6.3V	D664		X-0021E5Q200	LED,HR-A590U(C)	
C5512			QEKJ1CM-106Z	E CAPACITOR 10μF,16V	D665		X-0021E2Q140	LED,HR-A590U(C)	
C5513			QEKJ1HM-105Z	E CAPACITOR 1μF,50V	D666		X-0021E2Q140	LED,HR-A590U(C)	
C5514			NCF21HZ-104X	CAPACITOR 0.1μF,50V	D1001		X-0010100320	INFRARED LED LNA2702L010R	
C5515			NCB21HK-223X	CAPACITOR 0.022μF,50V	D1002		1SS133-T2	DIODE	
C5516			QEKJ1CM-226Z	E CAPACITOR 22μF,16 V	D1003		1SS133-T2	DIODE	
C5517			X-E50HU5R22M	E CAPACITOR 0.22μF,50V	D1004		1SS133-T2	DIODE	
C5518			X-E50HU53R3M	E CAPACITOR 3.3μF,50V	D1005		1SS133-T2	DIODE	
C5521			X-E50HU5R22M	E CAPACITOR 0.22μF,50V	D5501		1SS133-T2	DIODE	
C5523			X-E50HU34R7M	E CAPACITOR 4.7μF,25V	△ IC501		X-11KJ9A4310	IC KIA431	
C5524			NCB21EK-104X	CAPACITOR 0.1μF,25V	IC505		X-0002E00610	PHOTO COUPLER LTV-817M-VB	
C5525			QEKJ1CM-106Z	E CAPACITOR 10μF,16V	IC511		X-0002E00610	PHOTO COUPLER LTV-817M-VB	
C5526			QEKJ1CM-106Z	E CAPACITOR 10μF,16V	IC1001		X-I54F50115A	IC,HR-A591U/U(C) OEC0115A	
C5527			QEKJ1CM-106Z	E CAPACITOR 10μF,16V			X-I54F50114A	IC,HR-A590U(C) OEC0114A	
C5528			X-CS0RB04U2K	CAPACITOR 680pF,50V	IC1003		X-IC7J0311A0	IC R3111N311A/C-TR	
C5529			QEKJ1CM-106Z	E CAPACITOR 10μF,16V	IC4001		X-I03F3205M0	IC LA71205M-MPB	
C5530			NCF21HZ-103X	CAPACITOR 0.01μF,50V	IC5501		AN3663FBP	IC	
C5531			X-E50HU0101M	E CAPACITOR 100μF,6.3V	△ Q502		X-TC5T021204	TRANSISTOR,HR-A591U/U(C) 2SC2120Y(TPE2)	
C5532			QEKJ1CM-106Z	E CAPACITOR 10μF,16V			X-TD3T007340	TRANSISTOR,HR-A590U(C) 2SD734(E,F)-AA	
C5533			QEKJ1HM-105Z	E CAPACITOR 1μF,50V	△ Q503		X-TCWQ4160E0	TRANSISTOR 2SC4160-OEC-YAC1	
C5534			QEKJ0JM-336Z	E CAPACITOR 33μF,6.3V	△ Q509		X-TCAT03205Y	TRANSISTOR KTC3205_Y-AT	
C5536			QEKJ1CM-106Z	E CAPACITOR 10μF,16V	△ Q512		X-TCAT032034	TRANSISTOR KTC3203_Y-AT	
C5537			QEKJ1CM-106Z	E CAPACITOR 10μF,16V	Q513		KRC103S-X	TRANSISTOR	
C5538			QEKJ1CM-106Z	E CAPACITOR 10μF,16V	△ Q515		X-TCATC31980	TRANSISTOR KTC3198-AT(Y,GR)	
C5539			QEKJ0JM-336Z	E CAPACITOR 33μF,6.3V	Q651		2SA1037AK/RS/-X	TRANSISTOR,HR-A591U/U(C)	
C5540			NCB21HK-153X	CAPACITOR 0.015μF,50V	Q652		KRC103S-X	TRANSISTOR,HR-A591U/U(C)	
C5541			NCB21HK-103X	CAPACITOR 0.01μF,50V	Q653		KRC103S-X	TRANSISTOR,HR-A591U/U(C)	
C5542			NCF21HZ-104X	CAPACITOR 0.1μF,50V	Q654		2SA1037AK/RS/-X	TRANSISTOR,HR-A591U/U(C)	
C5543			NCF21HZ-103X	CAPACITOR 0.01μF,50V	Q655		KRC103S-X	TRANSISTOR,HR-A591U/U(C)	
C5544			NCF21HZ-103X	CAPACITOR 0.01μF,50V	Q656		KRC103S-X	TRANSISTOR,HR-A591U/U(C)	
C5545			NCF21HZ-104X	CAPACITOR 0.1μF,50V	Q657		KRC103S-X	TRANSISTOR,HR-A591U/U(C)	
C5546			NCB21HK-153X	CAPACITOR 0.015μF,50V	Q658		KRC103S-X	TRANSISTOR,HR-A591U/U(C)	
C5547			QEKJ1CM-106Z	E CAPACITOR 10μF,16V	Q659		2SA1037AK/RS/-X	TRANSISTOR,HR-A591U/U(C)	
C5548			QEKJ1CM-106Z	E CAPACITOR 10μF,16V	Q660		KRC103S-X	TRANSISTOR,HR-A591U/U(C)	
C5549			X-CHGTF0314Z	CAPACITOR 0.01μF,25V	Q661		2SA1037AK/RS/-X	TRANSISTOR,HR-A591U/U(C)	
C5551			X-CS0RB04U2K	CAPACITOR 680pF,50V	Q662		KRC103S-X	TRANSISTOR,HR-A591U/U(C)	
C5552			QEKJ1CM-226Z	E CAPACITOR 22μF,16 V	Q663		KRC103S-X	TRANSISTOR,HR-A591U/U(C)	

#	△ REF No.	PART No.	PART NAME, DESCRIPTION
	Q664	KRC103S-X	TRANSISTOR,HR-A591U/U(C)
	Q665	2SA1037AK/RS/-X	TRANSISTOR,HR-A591U/U(C)
	Q1002	X-0002700590	PHOTO COUPLER RPI-301
	Q1004	X-0002700670	PHOTO COUPLER RPI-352Q02
	Q1005	X-0002700670	PHOTO COUPLER RPI-352Q02
	Q1006	X-0000100380	PHOTO TRANSISTOR PNA2604M010R
	Q1007	KRC103S-X	TRANSISTOR
	Q1008	X-0000100380	PHOTO TRANSISTOR PNA2604M010R
	Q4001	X-TCATC31980	TRANSISTOR KTC3198-AT(Y,GR)
	Q4002	X-TCATC31980	TRANSISTOR KTC3198-AT(Y,GR)
	Q4003	X-TPAAC05002	TRANSISTOR KRA103SRTK
	Q4005	X-TAATA12660	TRANSISTOR KTA1266-AT(Y,GR)
	Q4006	X-TCAT032034	TRANSISTOR KTC3203_Y-AT
	Q4010	2SA1037AK/RS/-X	TRANSISTOR
	Q4011	2SC2412K/RS/-X	TRANSISTOR
	Q4012	2SC2412K/RS/-X	TRANSISTOR
	Q4201	X-TAATA12660	TRANSISTOR KTA1266-AT(Y,GR)
	Q4202	X-TPAAC05002	TRANSISTOR KRA103SRTK
	Q4203	2SC2412K/RS/-X	TRANSISTOR
	Q4204	2SC2412K/RS/-X	TRANSISTOR
	Q6001	KRC103S-X	TRANSISTOR
	B501	X-024HT03564	CORE,BEADS W4BRH3.5X6X1
	B502	X-024HT03564	CORE,BEADS W4BRH3.5X6X1
△	L501	X-029T000083	COIL,LINE FILTER
	L504	X-021W7A220K	COIL 22μH
	L505	X-021W7A220K	COIL 22μH
	L1001	X-0216A6150K	COIL 15μH
	L1002	X-021W7A220K	COIL 22μH
	L4001	QQL29BJ-220Z	COIL 22μH
	L4003	QQL29BJ-101Z	COIL 100μH
	L4004	X-0216A6220K	COIL 22μH
	L4005	X-0216A6470K	COIL 47μH
	L4006	X-0216A6470K	COIL 47μH
	L5501	QQL071J-101Y	COIL 100μH
	L5502	QQL071J-101Y	COIL 100μH
	L5504	X-0216A6220K	COIL 22μH
	L6002	QQL29BJ-220Z	COIL 22μH
	T4001	X-031626009R	COIL,BIAS OSC
△	T501	X-0481220094	SW TRANSF
	J4201	X-060J411018	RCA JACK
	J4203	X-060J401087	RCA JACK
	J4204	X-060J401087	RCA JACK
	J4205	X-060J421025	RCA JACK
	SW651	QSW0456-001Z	TACT SWITCH
	SW652	QSW0456-001Z	TACT SWITCH
	SW653	QSW0456-001Z	TACT SWITCH
	SW654	QSW0456-001Z	TACT SWITCH
	SW655	QSW0456-001Z	TACT SWITCH
	SW656	QSW0456-001Z	TACT SWITCH
	SW657	QSW0456-001Z	TACT SWITCH
	SW658	QSW0456-001Z	TACT SWITCH
	SW1001	X-0508A11001	SWITCH(LEAF)
	SW6001	X-0510S21041	SWITCH SLIDE,HR-A590U(C)
	VR1001	QVP0039-103Z	TRIM RESISTOR
	CP1001	X-06972C0010	CONNECTOR PCB SIDE
	CP4001	X-0697290620	CONNECTOR PCB SIDE
	CP4002	X-069J760019	CONNECTOR PCB SIDE
	CP4003	X-0697120320	CONNECTOR PCB SIDE
	X1001	X-1002T01003	CERAMIC OSCILLATOR CSTS1000MG96004-T2
	X4001	NAX0102-001X	CRYSTAL 3.57954MHZ
△	TU6001	X-0162K00027	RF UNIT

#	△ REF No.	PART No.	PART NAME, DESCRIPTION
△	F501	X-081PC1R605	FUSE
	FH501	X-06710T0006	FUSE HOLDER
	FH502	X-06710T0006	FUSE HOLDER
△	CD501	X-120R414901	CORD,AC BUSH
	CD1002	X-122F061502	CORD,JUMPER
	OS651	X-077Q037001	REMOTE RECEIVER
	V651	X-0040E94004	LED DISPLAY,HR-A591U/U(C)
	BT601	X-1412004008	BATTERY,MANGAN,HR-A590UC R03(AB)E_20_T